



# TECHNICAL SERVICE BULLETIN



March/Apr.  
1983

Date .....

ITEM: T83/02

MODEL: TR 7

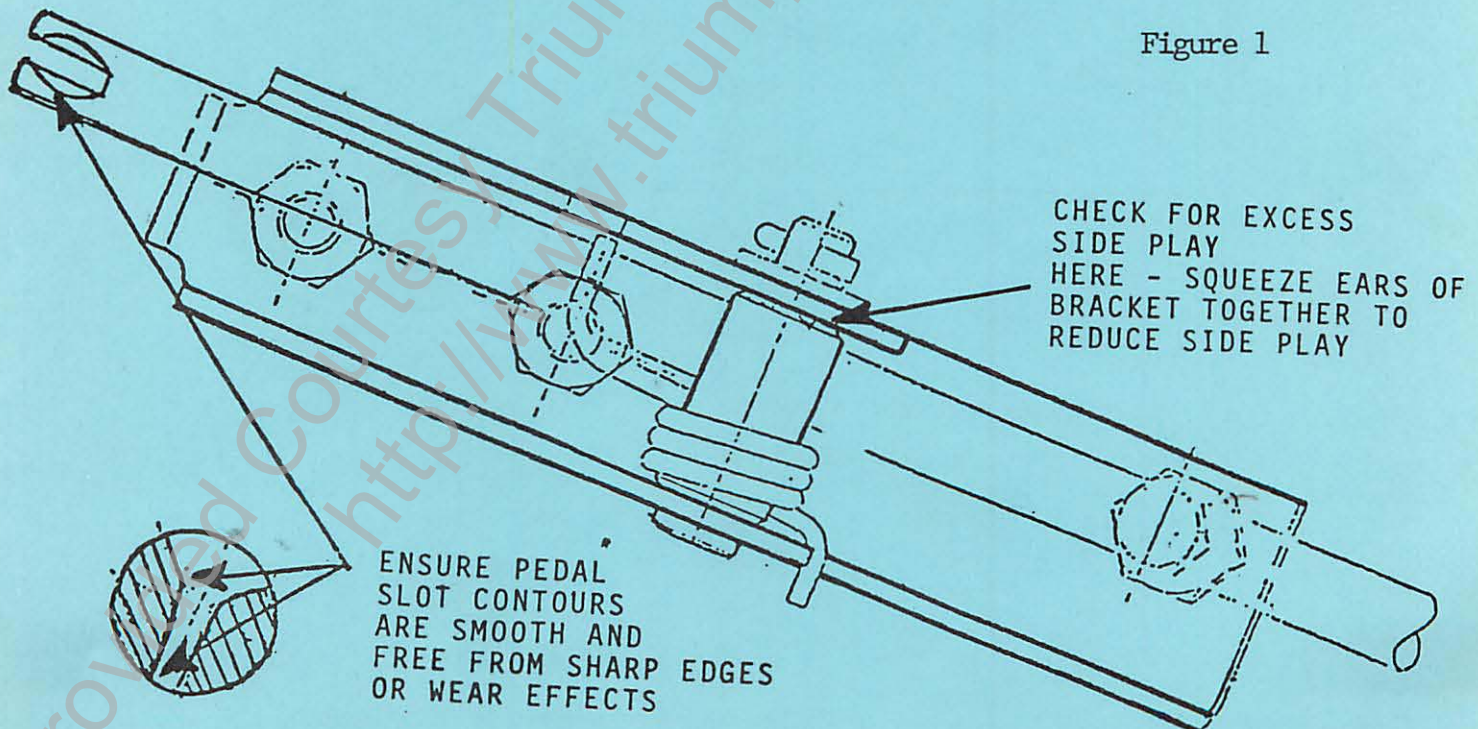
SUBJECT: REPLACEMENT ACCELERATOR CABLE

An Accelerator Cable Kit for all TR 7 vehicles is available under P/N RTC 2922. This Kit must be used for all TR 7's with carburetters accelerator cable replacements. The following are the fitting instructions for the Kit.

1. Remove air scoop.
2. Remove existing accelerator cable and discard.
3. Remove pedal and bracket assembly from firewall, check for wear/sharp edges on pedal slot contours, also for excess side play between pedal in bracket. Correct both conditions as required. (See Figure 1)

## PEDAL & BRACKET CHECK

Figure 1



4. Refit pedal assembly to firewall and make sure that slotted hole in pedal aligns exactly with outer cable fixing hole in firewall. Recheck alignment when fixing bolts are tight.
5. Install new cable through firewall, affix inner cable to pedal, put smear of grease around cable end in slot. Fit lock, and secure outer cable abutment into hole in firewall.
6. Run cable under both brake booster vacuum hose and hot air pipe over forward end of valve cover adjacent to two top front fixing screws for valve cover. Over air pump, down between horn of air cleaner and radiator top hose, under radiator bottom hose and up to carburettor. Adjust cable to correct clearance.
7. Install two plastic ties supplied: (See Figure 2)

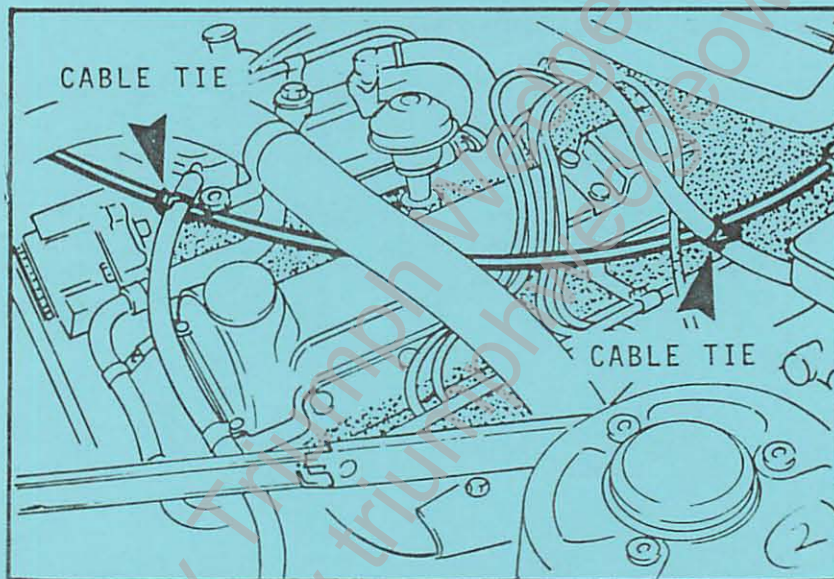
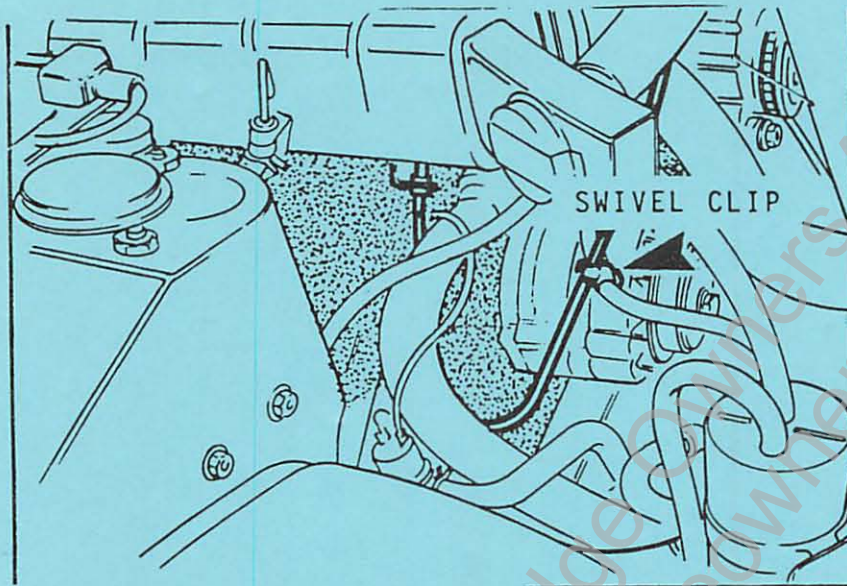


Figure 2

- to vacuum hose to brake booster
- to hose to coolant expansion tank.

Install plastic swivel clip supplied: (See Figure 3)



- to vent hose to carbon canister.

Figure 3

NOTE: EARLY CARS - where the link on carburettor end of accelerator cable has not been slotted to allow removal of cable, the link should be cut with a fine tooth hacksaw blade to allow easy change of cable.

RTC 2922 replaces: UKC 3664  
UKC 5873  
UKC 9515

H.C.T.